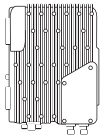




DC POWER

# DC-48V电源低残压、小体积防护方案

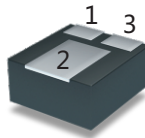
Low Clamping Voltage and small size protecting solutions of DC-48V power



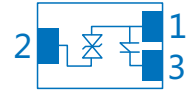
RRU



LPZ0<sub>B</sub>-1



BVS0750B10



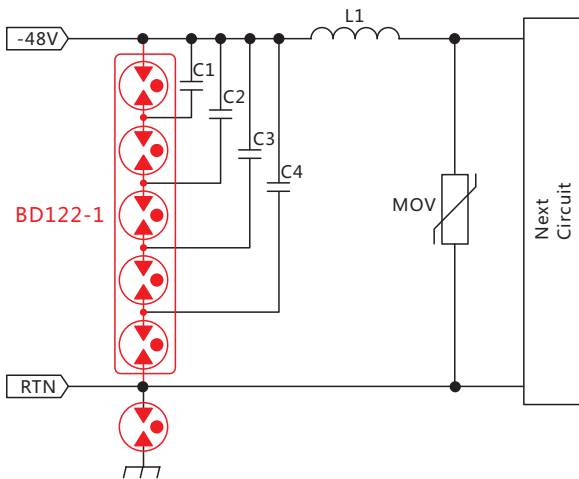
$I_{PP} \geq 10KA @ 8/20\mu s$   $V_{DRM} \geq 75V$

Pin2&pin3 to Pin1 is TVS

Pin1 to Pin2&Pin3 is TSS

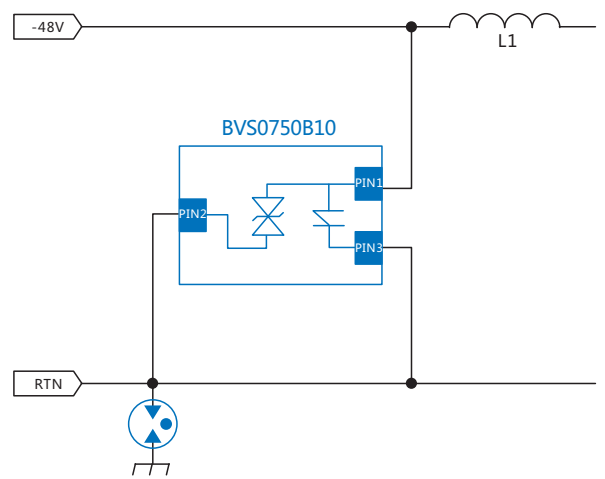
## 行业传统方案

Industrial traditional solutions



## 槟城创新方案

Bencent's innovative solutions



Off state Voltage		Breakdown Voltage		Clamp Voltage		Surge Waveform ( $\mu s$ )	Ppp (W)	Package	Size L*W*H (mm)	Mark BI
$V_{DRM}$ (V)	$I_{DRM}$ 25°C( $\mu A$ ) Max	$V_{BR}$ (V) Max	$I_R$ (mA)	$V_C$ (V) Max	@ $I_{PP}$ (A)					
75	10	95	1	150	1000	8/20	1500000	SMH-T	18.3×16.0×7.5	B75A10



深圳市槟城电子有限公司  
Shenzhen Bencent Electronics Co.,Ltd.  
+86-755-26515027/26515060-808  
www.bencent.com.cn